



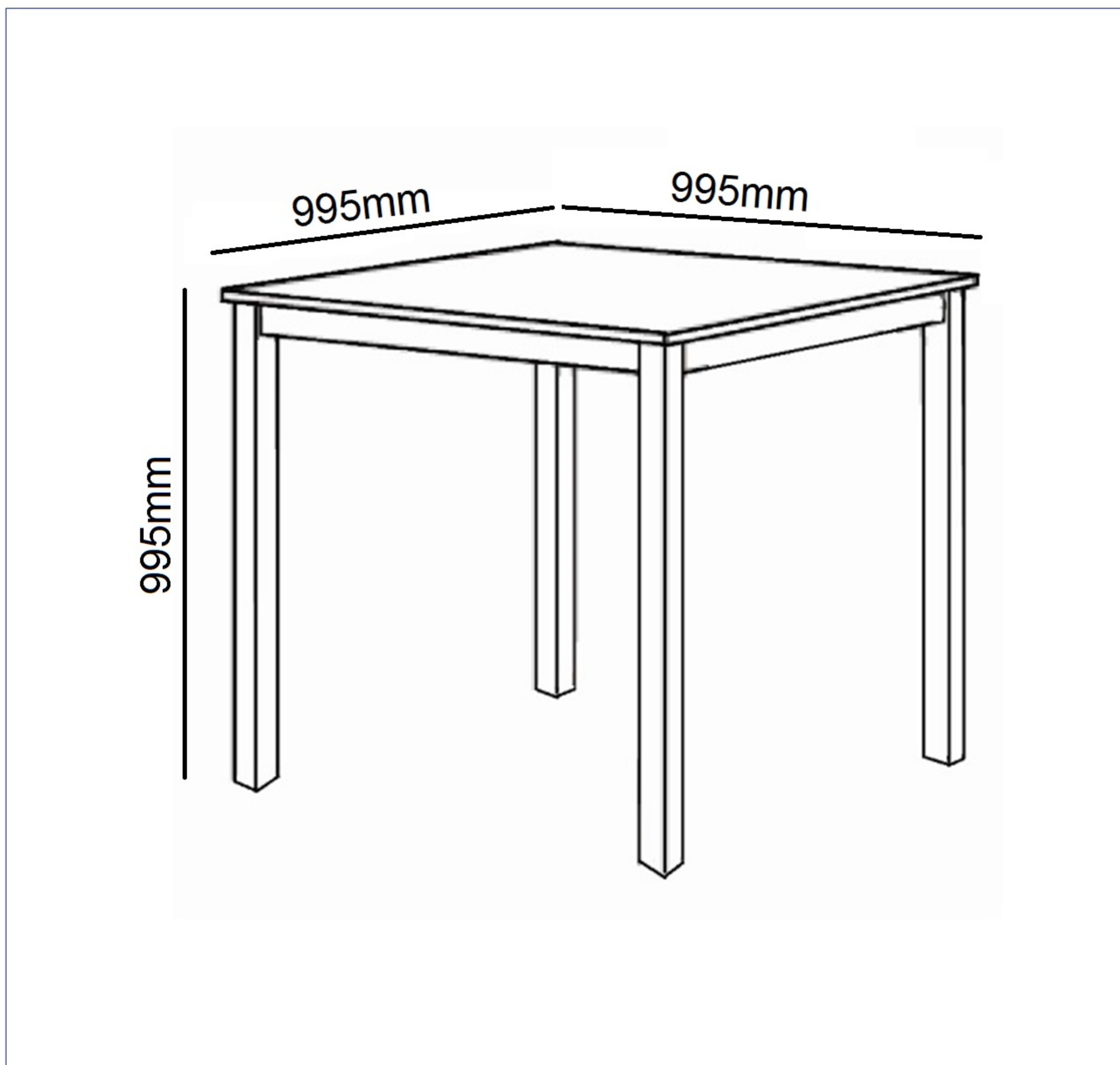
ASSEMBLY INSTRUCTION

TOKYO BAR TABLE

ITEM CODE 55329

Imported by Super Amart Pty Ltd, Qld, Brisbane Australia.

For any assistance with assembly or for missing parts please phone
Super Amart Ewing Road, Customer Service Free call 1800 351 084



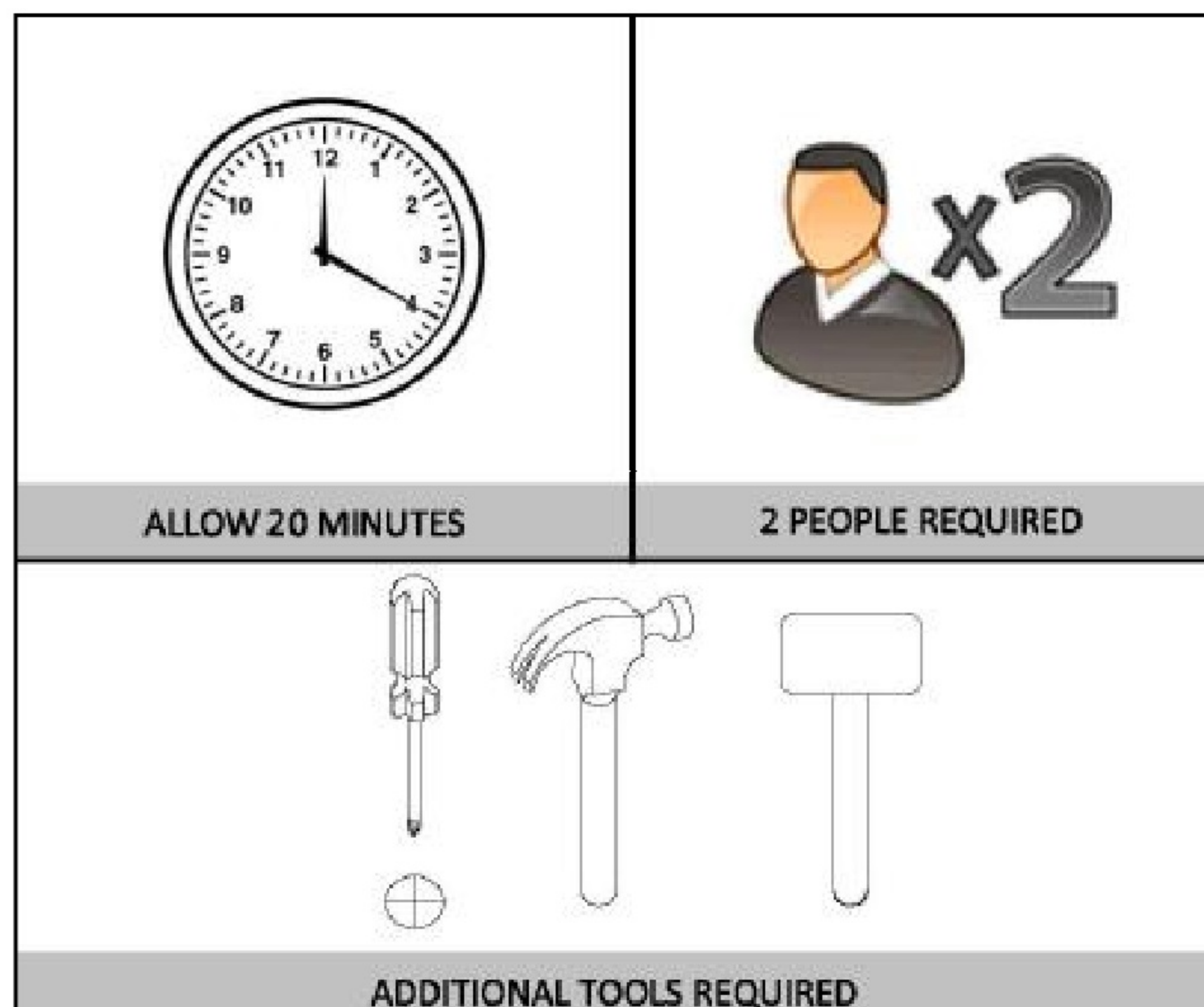
Imported by Super Amart Pty Ltd, Qld, Brisbane Australia.

For any assistance with assembly or for missing parts please phone
Super Amart Ewing Road, Customer Service Free call 1800 351 084

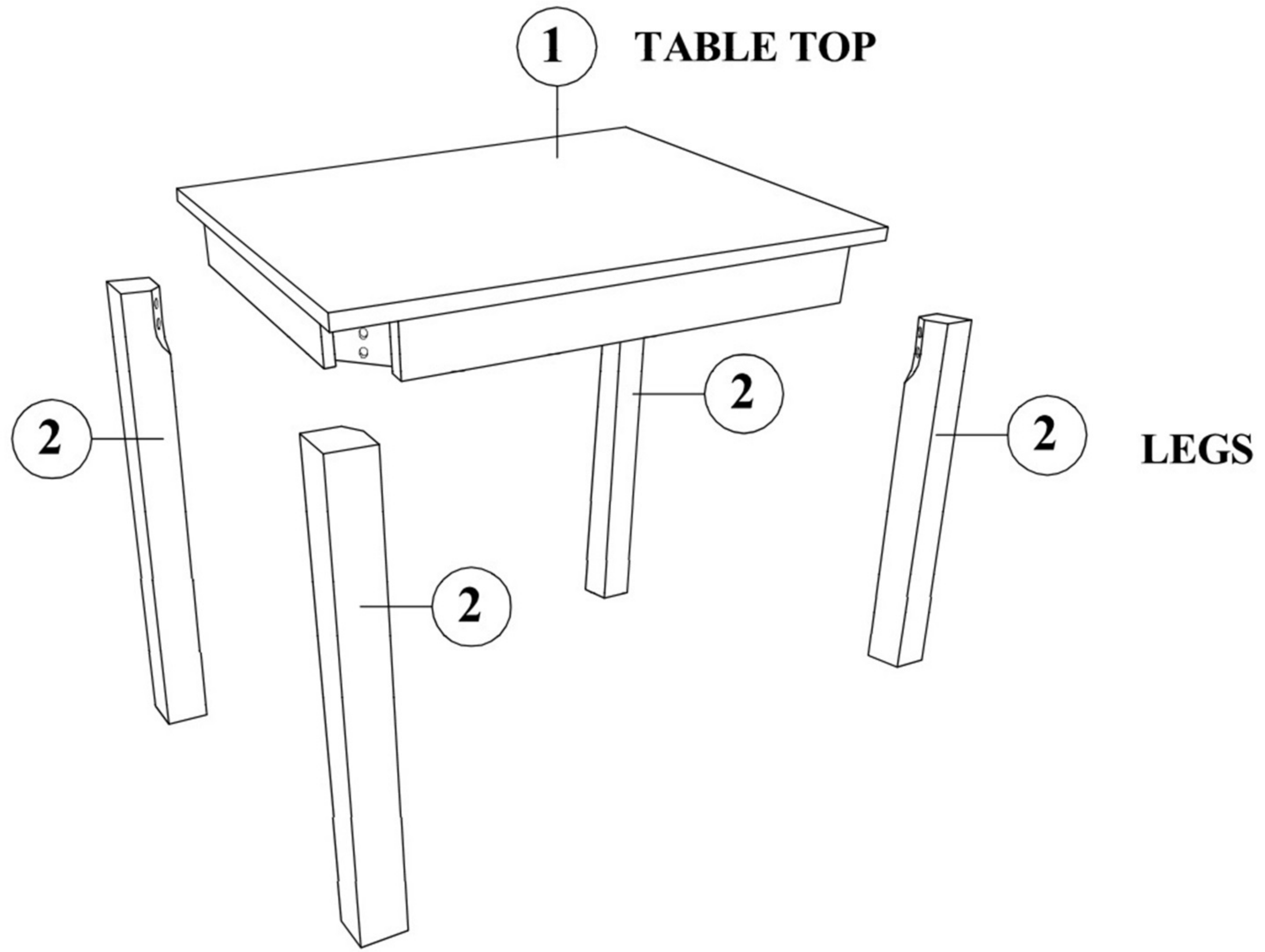
PRE-ASSEMBLY PREPARATION

Before you start:





1. Choose a clean, level, spacious assembly area. Avoid hard surfaces that may damage the product
2. Take care when lifting. Product should be assembled as near as possible to the point of use
3. Ensure that you have all required contents for complete assembly
4. Always read the assembly instructions carefully before beginning assembly.
5. Keep all hardware parts and packaging out of reach of small children.
6. Do not over tighten the screws and bolts as this may damage the threads



PARTS LIST

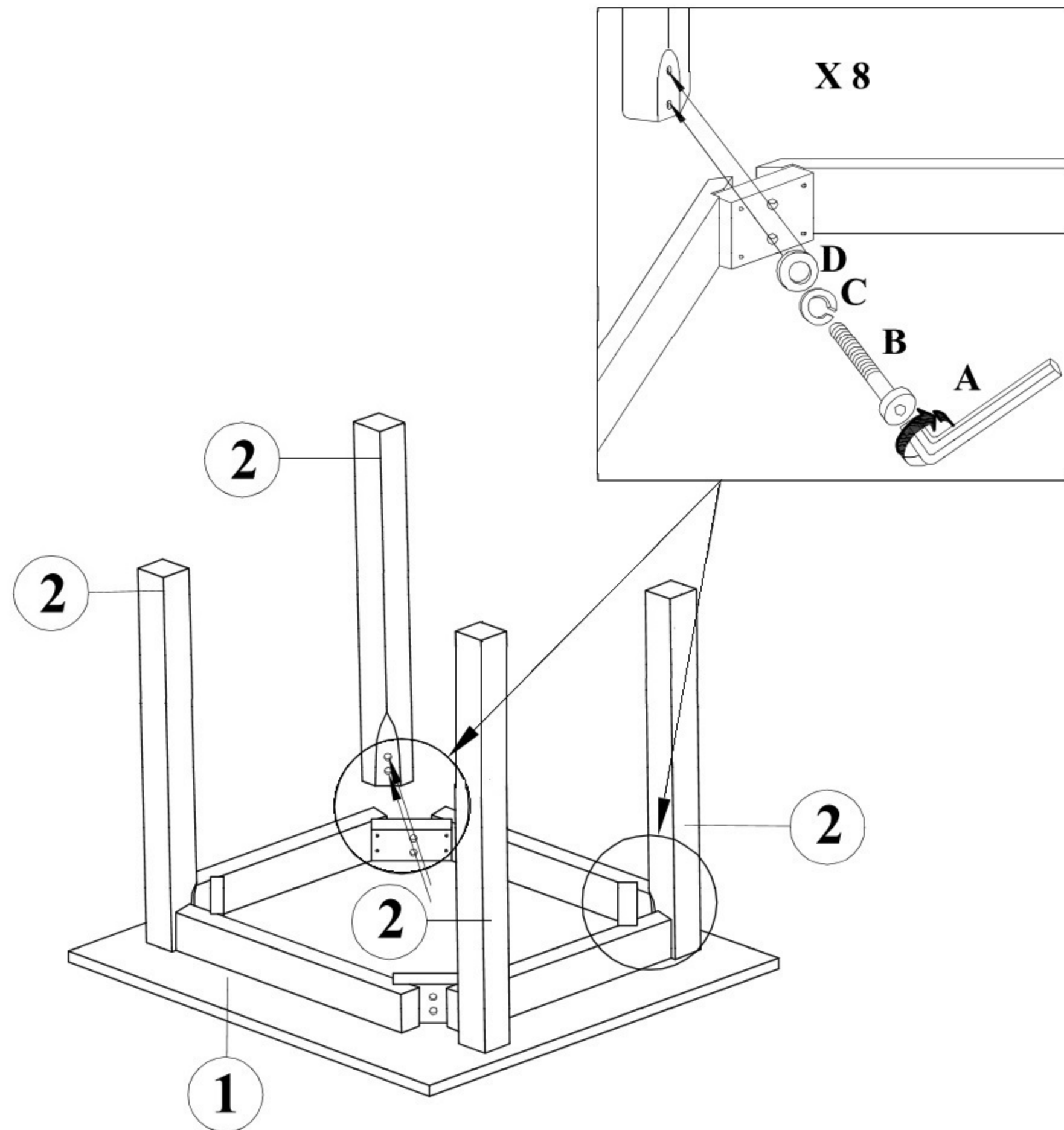


1	TABLE TOP WITH APRON
2	TABLE LEG

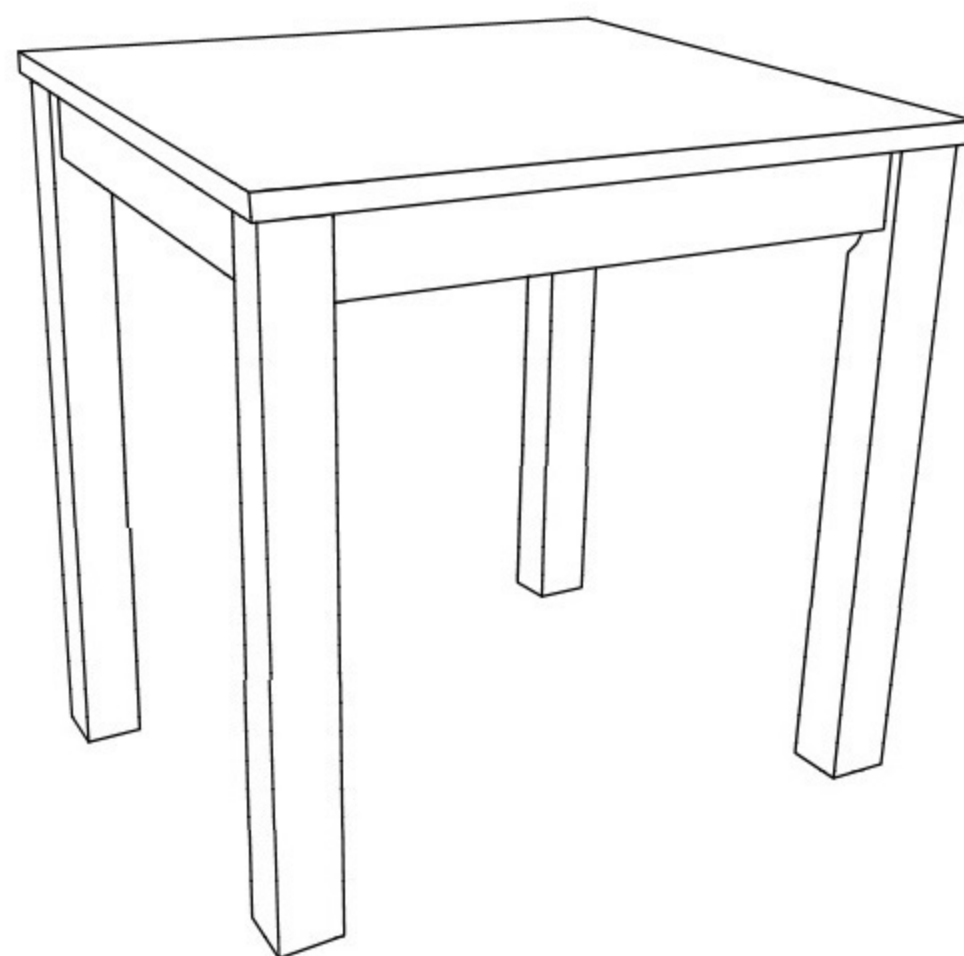
<p>a. JCBC SCREW</p>  <p>8pcs</p>	<p>b. SPRING WASHER</p>  <p>8pcs</p>
<p>c. Flat Washer</p>  <p>8pcs</p>	<p>d. ALLEN KEY</p>  <p>1pcs</p>

STEP 1

Place table top up side down on soft surface, then fasten all legs (2) to table top (1) using JCBC bolt (B), spring washer (C) and flat washer (D). Tighten with Allen key (A). With two people carefully turn over.



ASSEMBLY IS COMPLETE.



CARE GUIDE FOR YOUR WOOD FURNITURE

A multi-step finish is applied to all our furniture, but all wood comes from nature.

Because of this, there will be natural variations in texture and grain like knots, mineral streaks and sap runs that may affect the finish.

These differences in character are not defects, but distinctions that make each piece of furniture unique.

Our furniture is built to last. Following these steps for basic care should protect your investment for years to come.

- Dust frequently with a clean damp lint-free cloth. This will help remove abrasive buildup which can damage a finish over time.

- Occasionally use a light application of high-quality furniture polish to enhance the beauty of the fine finish. Avoid using oil polishes or waxes.

- Do not place hot objects on any furniture surface. Always use a hot plate when placing a warm pot on furniture. Laminated surfaces on table tops provide added scratch and heat resistance to our furniture, but they can still be damaged without proper care.

- Avoid exposing your furniture to strong sunlight, heat, outlet, open windows or dampness. Prolonged exposure to direct sunlight can fade the finish of your furniture, while extreme temperature and humidity changes can cause cracking or splitting.

- Do not expose your furniture to any liquids. Never allow water to sit on your furniture. Alcohol, nail polish and perfume are also dangerous because they can dissolve the furniture finish on contact and may require professional repairs.

- Do not allow plastic to come in direct contact with your furniture. chemicals in the plastic may soften and injure the finish if left in contact with the furniture for a long period of time.